

# LED pool light Remote Control

## OWNER'S MANUAL

### PL-REM

Long range DuraLink™ version



**Spectravis**ion 

**Controls Spectravis Pool Lights  
and 2 auxiliary circuits**


## Table of contents

Technical specifications	Page 3
Box contents	Page 4
Installation instructions	Page 5-6
Pairing Handheld Transmitter & controller	Page 7
Handheld transmitter functions	Page 8
Replacing transmitter battery	Page 8
Troubleshooting	Page 9



## Technical specifications

### Electrical specifications

Nominal Input voltage	230 VAC 50 Hz
Max rating Relay Contacts "Color&Light", "A" and "B"	
Resistive Load	14A 250VAC 14A 30VDC
Inductive Load	6A 250VAC 6A 30VDC
Frequency band transmitter	868 MHz
IEC Protection Class	Class II 

### General specifications Controller

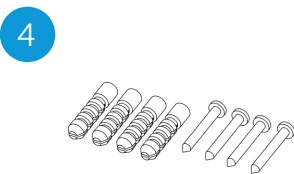
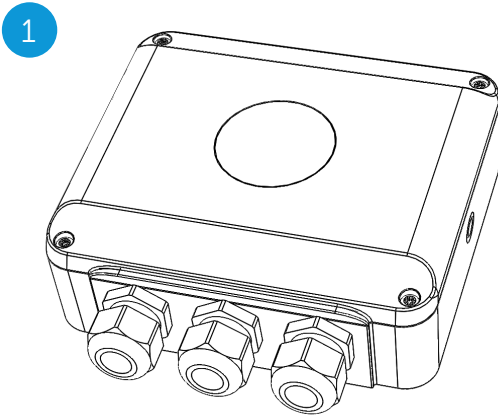
Ambient air temperature	0°C ... +40°C
Humidity	10% ... 90% RH non condensing
Dimensions	150x157x51 mm
Weight	500 g
Ingress protection rate	IP54



*For operation only with 12VAC safety isolation transformer to power Spectravisio<sup>®</sup> LED Pool Lights*

## Box contents

1. PL-REM controller
2. Handheld transmitter (DuraLink™ version)
3. Spare battery (type A23 12V)
4. Screws (4x) & wall plugs (4x)
5. Owners's manual




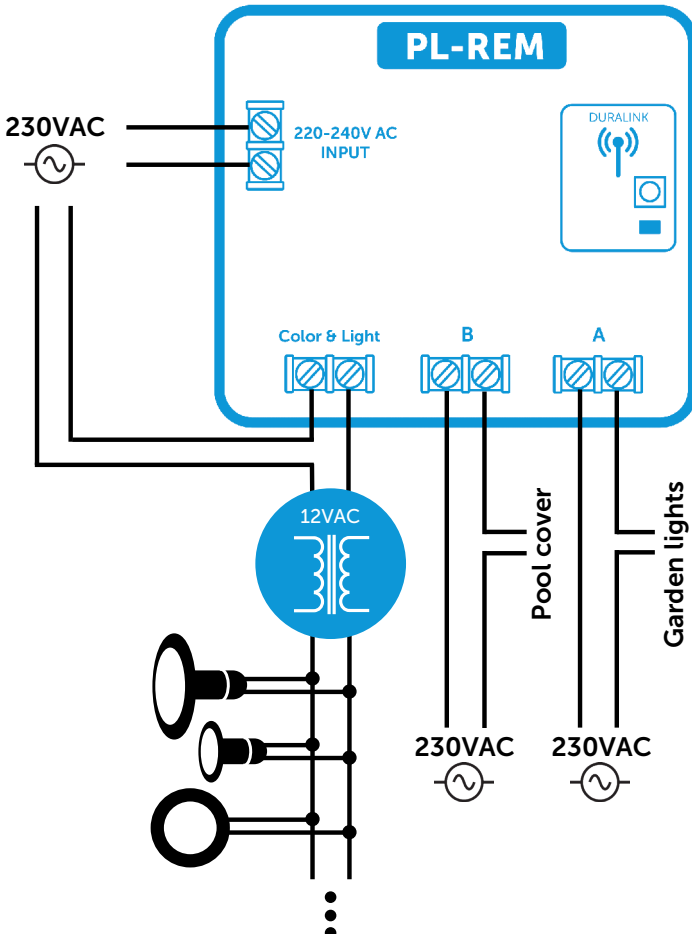
# Installation instructions

## Option 1: PL-REM in transformer primary

- Connect a 230VAC power source to the "220-240VAC INPUT" terminal
- Connect the primary circuit of a 12VAC transformer (sold separately) in series with the "Color&Light" terminal of the PL-REM.

*Optional:* The "Switch A" & "switch B" terminals can be used to control auxiliary circuits like a pool cover or garden lights.

 The "Color&Light" relay contact has an output of 14A, which can drive a 12V transformer of max. 3000W (220Vx14A).



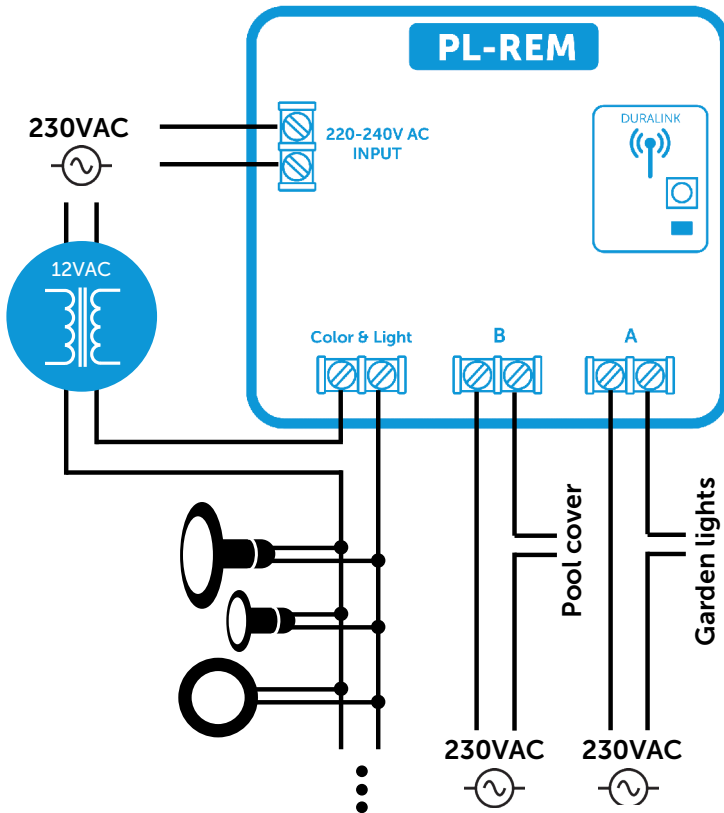
## Option 2: PL-REM in transformer secondary

- Connect a 230VAC power source to the "220-240VAC INPUT" terminal
- Connect the secondary circuit of a 12VAC transformer (sold separately) in series with the "Color&Light" terminal of the PL-REM.

*Optional:* The "Switch A" & "switch B" terminals can be used to control auxiliary circuits like a pool cover or garden lights.



*The "Color&Light" relay contact has an output of 14A, or 170W on a 12V transformer secondary (14Ax12V). The total load of pool lights can not exceed this.*



## Pairing handheld transmitter & controller

The handheld transmitter is already paired in the factory and ready to use. The PL-REM can pair with up to 6 handheld transmitters. In case a problem arises, the pairing process can be done manually:

*Manual Pairing process:*

Make sure the PL-REM is connected to a power source.

1. Press the pairing button on the small circuit board, inside the controller for at least 5 seconds.

--> The LED will start to blink fast

2. Within 25 seconds, press any button on the handheld transmitter.

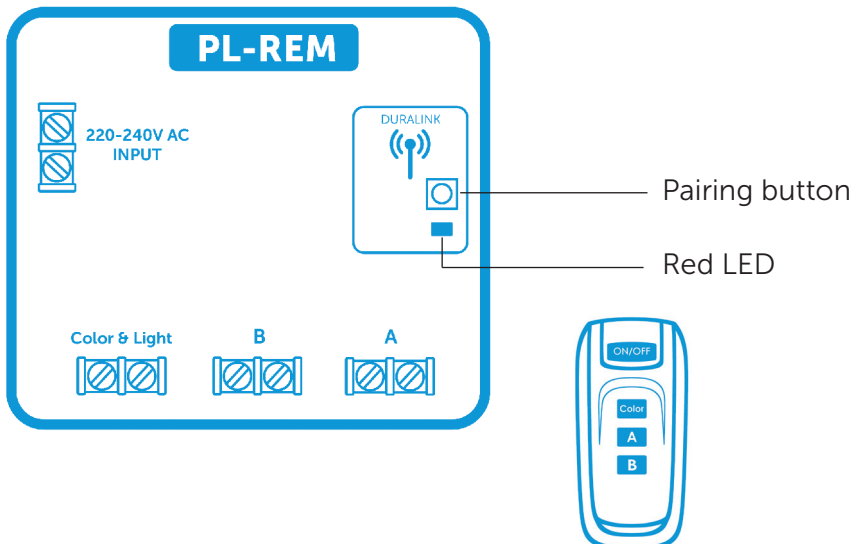
--> If the transmitter is paired correctly, the LED will flash slowly for 5 times

--> If the PL-REM pairing memory is full, the LED will flash 15 times.

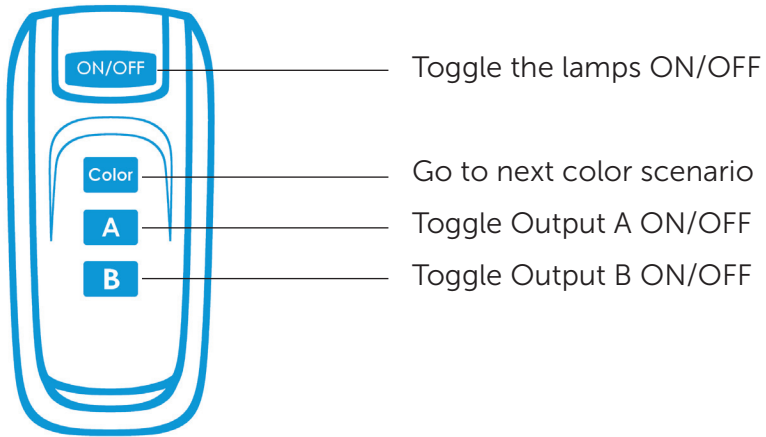
This means 6 handheld devices have already been paired.

To unpair all handheld transmitters with the controller: Push the pairing button for at least 5 seconds, then do nothing for at least 25 seconds.

--> The pair memory will be erased - the red LED will flash 5x on/off.



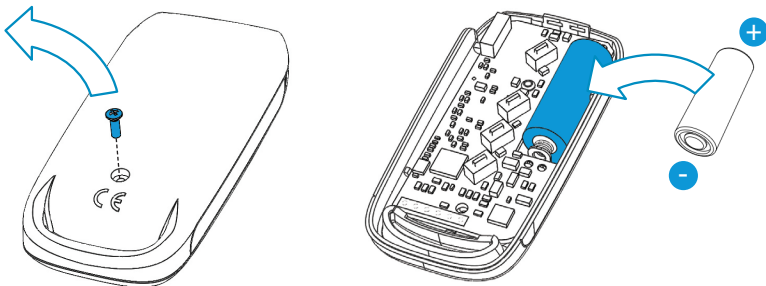
## Handheld transmitter functions



## Replacing transmitter battery

- Remove the philips head screw and open the transmitter
- Replace the battery, respecting the polarity

*Battery type: A23 12V*





# Troubleshooting

## PROBLEM

The controller doesn't react to transmitter commands

## SOLUTION

- Check the battery of the handheld transmitter
- The transmitter is not paired-correctly with the controller. Repeat the pairing process
- Reduce the distance between handheld transmitter and PL-REM and/or remove obstacles

---

The pool lights don't work

- Check if all connections are made according to the electrical scheme on page 5 or 6.
- Check if the "Color&Light" output terminals of the controller switch on and of when pushing the on/off button on the transmitter.

# Declaration of Conformity

We, Propulsion Systems bvba, declare under our sole responsibility, that the equipment described below conforms with the essential requirements of the following directives and standards:

**DIRECTIVE 2011/65/EC** (RoHs 2)

- EN50581

**DIRECTIVE 1999/5/EC** Radio equipment and telecommunications terminal equipment and the mutual recognition of their conformity

- EN 300 220 Electromagnetic compatibility and Radio spectrum Matters (ERM); Short Range Devices (SRD); Radio equipment to be used in the 25 MHz to 1 000 MHz frequency range with power levels ranging up to 500 mW

**DIRECTIVE 2004/108/EC** Electromagnetic compatibility

- EN 300 683 (Electromagnetic compatibility and Radio spectrum Matters (ERM); ElectroMagnetic Compatibility (EMC) standard for Short Range Devices (SRD) operating on frequencies between 9 kHz and 25 GHz)
- EN 301 489-3 (Electromagnetic compatibility and Radio spectrum Matters (ERM); ElectroMagnetic Compatibility (EMC) standard for radio equipment and services; Part 3: Specific conditions for Short-Range Devices (SRD) operating on frequencies between 9 kHz and 40 GHz)

**Equipment:** handheld transmitter/receiver for remote control & base unit transmitter / receiver 868MHz band DuraLink™

**Trade Mark:** SpectraVision™

**Model Nr.: Description:**

**PLA-REM** (COMMUNICATIONS & REMOTE CONTROL BOX FOR ADAGIO+ RGB DuraLink™)

**PLA-REM-300** (350VA PSU & COMMS BOX FOR ADAGIO+ RGB DuraLink™)

**PL-REM** (REMOTE CONTROL FOR MOONLIGHT & ADAGIO+ DuraLink™)

**PL-REM-P** (REMOTE CONTROL FOR MOONLIGHT & ADAGIO+ (PULSED) DuraLink™)

**PL-REM-200** (200VA PSU & REMOTE CONTROL FOR MOONLIGHT & ADAGIO+ DuraLink™)

**TX868-PLA** (TRANSMITTER ; DuraLink™ 868MHz ; for PLA-REM(-300))

**TX868-PL** (TRANSMITTER ; DuraLink™ 868MHz ; for PL-REM(-60/200))

**Propulsion Systems bvba**

Dooren 72  
B-1784 Belgium

Date of signature: 21/10/2014

Signature:

Name: Dhr. Marc Lamberts

Title: GM





## Contact details

### Propulsion Systems bvba

Dooren 72  
1785 Merchtem, Belgium

Tel +32 2 461 02 53

Fax +32 2 706 59 60

[www.propulsionsystems.be](http://www.propulsionsystems.be)

[info@propulsionsystems.be](mailto:info@propulsionsystems.be)

